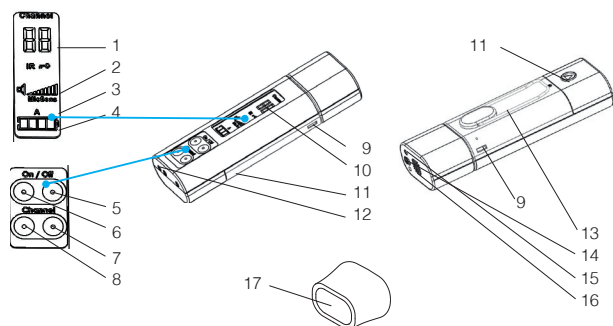




## BasicGuide mini: Transmitter



- |                                |   |
|--------------------------------|---|
| 1. Current channel             | 10. Display                                 |
| 2. Microphone sensitivity      | 11. Battery compartment                     |
| 3. Battery mode (Battery/Accu) | 12. Charging contacts                       |
| 4. Charge indicator            | 13. Clip                                    |
| 5. "On/Off" button             | 14. Microphone jack for external microphone |
| 6. "IR"-button                 | 15. IR-diode                                |
| 7. "Channel +" button          | 16. Microphone                              |
| 8. "Channel -" button          | 17. Wind screen                             |
| 9. Eyelet for neck strap       |   |

### Switching On/Off and Channel Selection

1. Switch the transmitter on with the "On/Off"-button. If no sound is received by the microphone for 6 minutes the transmitter will switch off automatically.
2. Set the desired Channel with the "Channel -" or "Channel +" button.

### The Programming Menu

The transmitter has a built-in programming menu which contains 3 menu options: P1 (sensitivity), P2 (channel lock) and P3 (noise gate).

The corresponding program icon will appear in the display. These icons are always shown when selecting the menu item. However, the function is not automatically activated. If you wish to activate the function, you must first deactivate the function and then reactivate it again. This confirms the activation. To deactivate the function just disable the icon. To enter the Programming Menu:

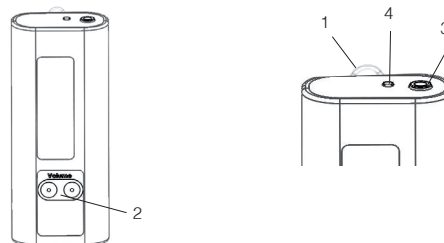
1. Switch the device on.
2. Press the "On/Off" button and "Channel -" button simultaneously for 1 second.
3. "P1" will appear on the display indicating that you're in the Programming Menu.
4. You can page forward to the menu items "P2" and "P3" by pressing the "IR" button. Change the setting by pressing "Channel +" button and the "Channel -" button.
5. Exit the Programming menu anytime by pressing the "On/Off" button and "Channel -" button simultaneously. The transmitter switches off and saves the changed values.

### Remote Channel Setting

To program many receivers at the same time

1. Program the desired channel at the transmitter.
2. If installed, pull the windscreen from the microphone head.
3. Put the receiver into the charger or turn on the receiver by plugging in an earphone.
4. Point the upper part of the transmitter towards the upper part of the receiver and press the "IR"-button. As with the remote control, the current settings of the transmitter are transferred.
5. On the receiver, the LED lights up. The current settings of the transmitter are transferred to the receiver. If this does not happen, check the alignment of the devices and repeat the process.

## BasicGuide mini: Receiver



1. Eyelet for neck strap
2. Volume control button
3. Earphone jack
4. LED

### Switching On/Off and Connecting Earphones

The receiver is switched on by plugging in the earphones.

1. Plug the earphone plug completely in the earphone jack of the receiver.
2. The LED at the top of the unit flashes briefly. The device is ready.

By unplugging the earphones the receiver is turned off.

### Setting a Channel

The channel of the receiver is set via channel remote control via the transmitter.

### Adjust the Volume and Put on Earphones

1. To avoid ear damage, adjust the volume using the volume control button to a low value.
2. MEDER uses ergonomic earphones, which are suitable for both ears. Put the supplied headphones on the ear so that the cable points backwards.
3. Check the volume on the earphones and adjust the volume with the volume control button so that you can understand the speaker clearly.